

Ventilation Equipment
Standard hood (with fan motor) for 6 on
6 GN 1/1 or 6 on 10 GN 1/1 stacked
lengthwise combi ovens

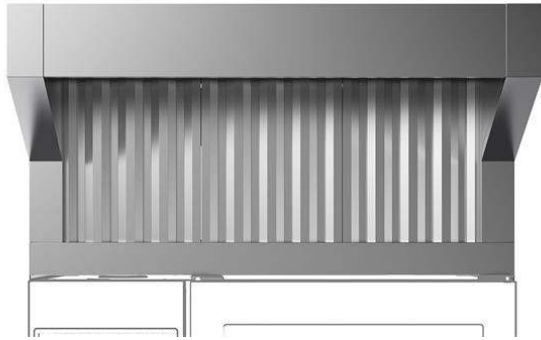
ITEM # _____

MODEL # _____

NAME # _____

SIS # _____

AIA # _____


922732 (HOSS11)

Exhaust hood with fan for stacking 6+6 or 6+10 GN 1/1 ovens

Short Form Specification

Item No. _____

- Constructed in 304 AISI stainless steel
- Equipped with labyrinth filters in 304 AISI stainless steel (positioned on front)
- Built-in fan which automatically controls the air capacity according with the quantity of steam produced
- The frontal ventilation is activated when the door of the oven is opened and thanks to a direct software connected to the oven, the hood automatically activates fan power and odor absorption based on real oven activity
- Suitable for installation on 6 on 6 GN 1/1 or 6 on 10 GN 1/1 STACKED LW COMBI OVENS.

Main Features

- Filtering surface protects against fire hazard.
- Requires connection to an external exhaust air duct.
- Fan motor with 3 automatic speeds:
 - Low speed when door is closed and valve is closed;
 - Medium speed when door is closed and valve is open;
 - High speed when door is open.
- Frontal labyrinth and condensation filters are easy to remove and cleanable in a dishwasher.
- The cable connection between the hood and the oven makes possible the communication between them. Connection of the hood to the oven's software automatically activates fan power and odour absorption based on real oven activity.
- The hood and the oven are synchronized: the hood switches On/Off when the oven starts/stops; based on real oven activity the hood automatically activates Hi/Medium/Low fan power for odour absorption.
- Can be used with 6 on 6 GN 1/1 or 6 on 10 GN 1/1 stacked LW combi ovens.
- Double step door opening (PNC 922265) is suggested to improve filtering performance.

Construction

- Constructed entirely in 304 AISI stainless steel.
- Automatic door opening activation system.
- Prefiltering of exhaust steam through stainless steel labyrinth filters.
- Developed and produced in ISO 9001, ISO 14001 and ISO 50001 certified factory.
- Must be installed in a space where normal aeration, according to regulations, is present.

Sustainability



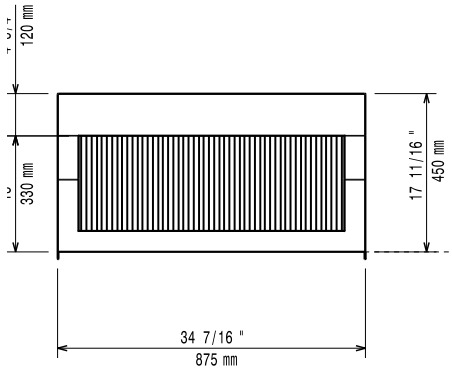
- System guarantees correct suction as well as high energy saving.

Optional Accessories

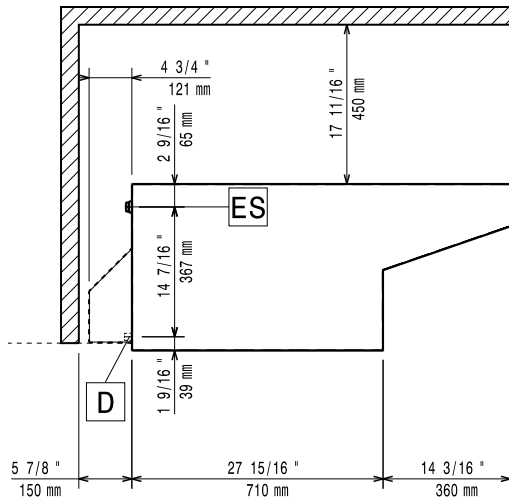
- Hood Hopper to directly connect the Hood to the centralized ventilation system, for Standard Hoods (with fan motor) and Hoods without fan motor PNC 922751

APPROVAL: _____

Front

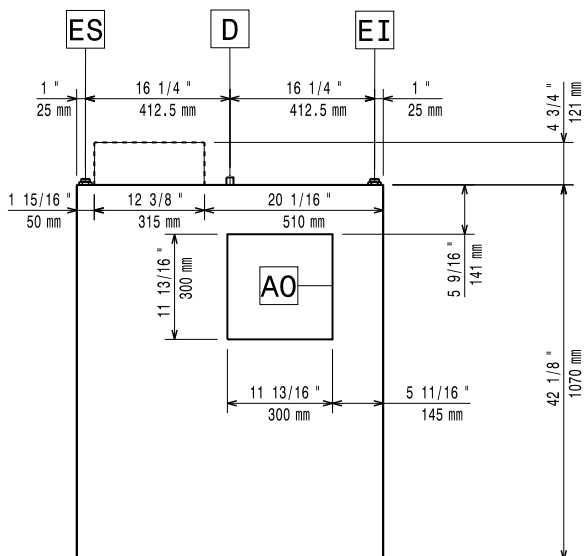


Side



EI = Electrical inlet (power)

Top


Electric
Supply voltage:

922732 (HOSS11) 230 V/1 ph/50 Hz

Default Installed Power:

0.47 kW

Key Information:
External dimensions, Width: 875 mm

External dimensions, Depth: 1191 mm

External dimensions, Height: 450 mm

Net weight: 59 kg

Shipping weight: 68 kg

Air Emission:
Air capacity: 1200-1500 m³/h